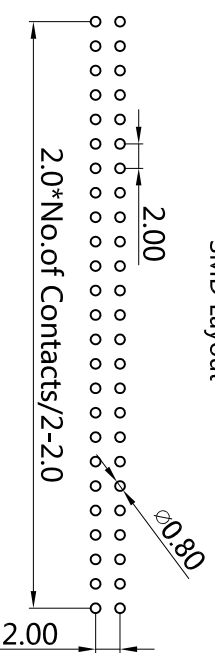
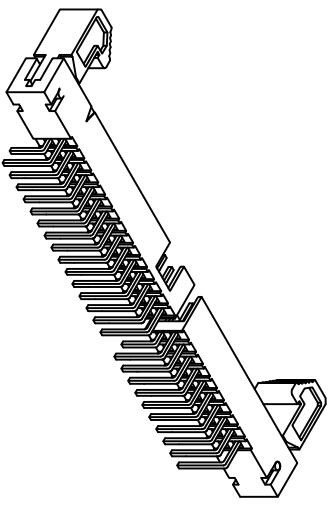
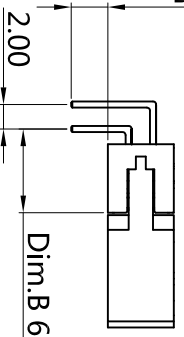
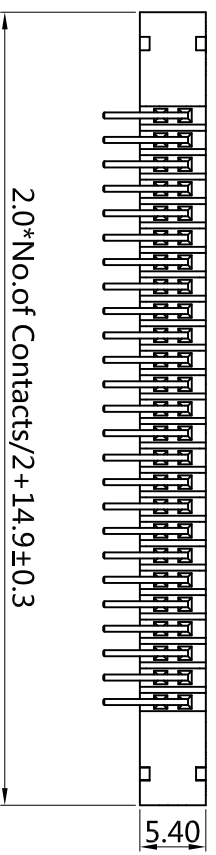
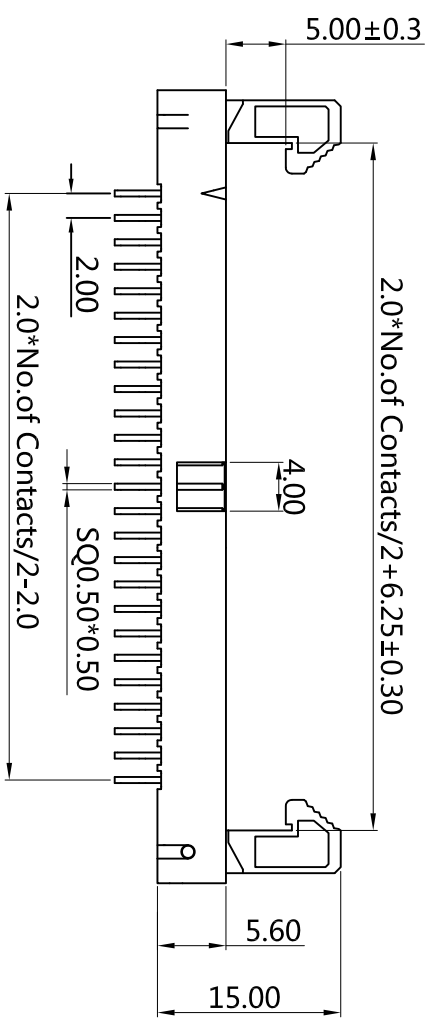


1	2	3	4	5	6	7	8
---	---	---	---	---	---	---	---

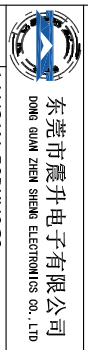
**Current Rating:** 2 Amps  
**Insulator Resistance:** 1000 Megohms min  
**Dielectric Withstanding:** AC 500V  
**Contact Resistance:** 20mΩ MAX  
**Operation Temperature:** -40~+105°C  
**Max processing temp:** 230°C for 60seconds  
**Max processing temp:** 260°C for 10seconds  
**Contact Material:** Brass  
**Insulator material:** Standard: Polyester, UL 94V-0  
**Standard:** PA6T  
**Finish:** nickel plated gold plated



Recommended P.C. Board  
SMD Layout

(RoHS Compliant)  
 LH21 X - XX RS BK X 000 X  
 1 2 3 4 5 6 7

- Insulator material:  
N=PA6T P=PA9T
- Circuits: 8-50PIN
- Tail Style:  
SL=Stright long ears  
SS=Stright short ears  
RL=Right angle long ears  
RS=Right angle short ears  
DL=SMT Long ears  
DS=SMT Short ears
- Color: BK=Black
- Contact Plated:  
T=Matte Tin over Nickel  
W=Matte Tin over nickel 150μ"  
Y=Bright Tin over Nickel  
F= Gold Flash, Matte Tin 100μ"  
A=Gold 3μ"  
B=Gold 3μ"  
D= Gold 5μ"
- Special Options:  
D= Gold 5μ"  
I=Gold 11μ"  
G=Gold 10μ"  
J=Gold 10μ"  
L= Gold 15μ"  
M=Gold 15μ"  
U= Gold 30μ"  
V=Gold 30μ"  
B=Tube  
C=Tray  
E=Cap+Reel  
F=Cap+tube  
G=Cap+tray  
H=Cap+bag  
N=Tap&reel



东莞市震升电子有限公司  
DONG GUAN ZHEN SHENG ELECTRONICS CO., LTD

1: LH21N-50BKHX0C8	
BOM 2: SQ0.50-10.6/14.6-C-C12	
3: LH21N-BKESC8	

PART NO.	LH21X-XXRSBKX000X	X	.XX	.XXX
DRAWING NO	ZS-10021-N	±0.30	±0.20	±0.1
DRAWN BY	Deng jin quan	EDITION:A1	ITEM: LH21	SCALE:1:1
APPROVAL BY	Chen xiao guang	2022-11-30	2022-12-01	UNIT:M.M

1	2	3	4	5	6	7	8
---	---	---	---	---	---	---	---