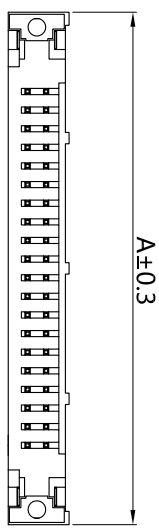
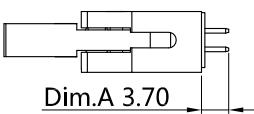
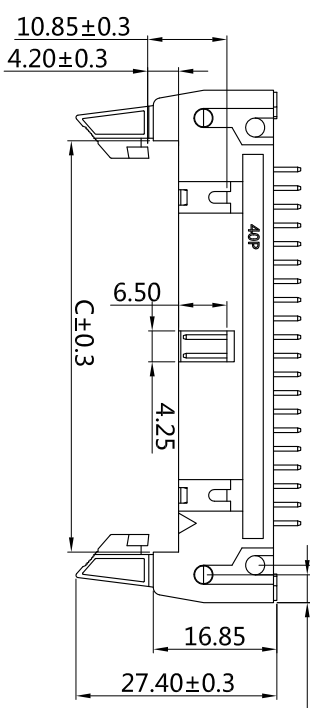


1	变更日期	变更内容	修改人	标记
2				
3				



2-5.08±0.3
2-3.70±0.3

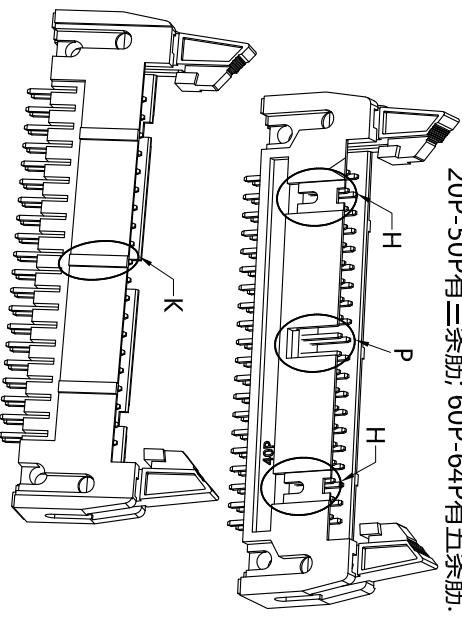
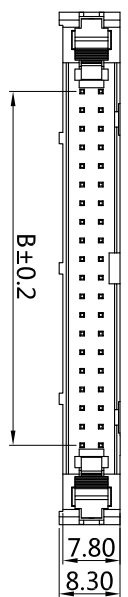


PIN	A(mm)	B(mm)	C(mm)
6P	26.82	5.08	12.94
8P	29.36	7.62	15.40
10P	31.90	10.16	18.02
12P	34.44	12.70	20.56
14P	36.98	15.24	23.10
16P	39.52	17.78	25.64
18P	42.06	20.32	28.18
20P	44.60	22.86	30.72
24P	49.68	27.94	35.80
26P	52.22	30.48	38.34
30P	57.30	35.56	43.42
32P	59.90	38.10	45.96
34P	62.38	40.64	48.50
40P	70.00	48.26	56.12
50P	82.70	60.96	68.82
60P	95.40	73.66	81.52
64P	100.68	78.74	86.60

Current Rating: 3 Amps
 Insulator Resistance: 1000 Megohms min
 Dielectric Withstanding: AC 500V
 Contact Resistance: 20mΩ MAX
 Operation Temperature: -40~+105°C
 Max processing temp: 180°C for 60seconds
 Max processing temp: 200°C for 10seconds
 Contact Material: Brass
 Insulator material: Standard: Polyester, UL 94V-0
 Standard: PBT
 Finish: Tin Gold Plated
 Standard: Gold Flash all over

说明: 1. 系列PIN数A-D尺寸请参照表格

- "H" 18P含18P以上PIN才有;
- "P" 60P与64P有; 其它PIN没有
- "K" 6P与12P有一条筋, 14P-18P有二条筋, 20P-50P有三条筋; 60P-64P有五条筋.



(RoHS Compliant)

- Insulator Material:
N=PA6T A=PBT
L=LCP P=PA9T
- Circuits: 06-64pin
- Taill Style:
SL=Stright long ears
SS=Stright short ears
RL=Right angle long ears
RS=Right angle short ears
DL=SWT Long ears
DS=SWT Short ears
- Color: BK=Black GR=Gray
(Color with color in the front of the Englishword two letters instead)
- Contact Plated:
T=Matte Tin over Nickel
W=Matte Tin over Nickel 150u"
Y=Brighte Tin over Nickel
F=Gold Flash, Matte Tin 100u"

LH1 X - XX SS BK X 000 X
 1 2 3 4 5 6 7

- Special Options
7. X= Packing
B=Tube
C=TRAY
D=BOX
E = CAP + Tap & Reel
F = CAP + Tube
G = CAP + Tray
H = CAP + Bag
N=1TAP&Reel
- A=Gold 3u"
B=Gold 3u", Matte Tin 100u"
D=Gold 5u"
E=Gold 5u", Matte Tin 100u"
G=Gold 10u"
J=Gold 10u", Matte Tin 100u"
L=Gold 15u"
M=Gold 15u", Matte Tin 100u"
U=Gold 30u"
V=Gold 30u", Matte Tin 100u"



东莞市震升电子有限公司
 DONG GUAN ZHEN SHENG ELECTRONICS CO., LTD

1: LH1X-XX XX HD-C6
BOM 2: SQ 0.64-16.0-X-C12
3: LH1A-BKES-C6

PART NO.	LH1X-XXSSBKX000X	X	.XX	.XXX
DRAWING NO	ZS-10014-N	±0.30	±0.20	±0.1
DRAWN BY	Deng jin quan	EDITION: A1	SCALE: 1:1	ITEM: LH1
APPROVAL BY	Chen xiao guang	2022-1-14	2022-1-20	UNIT: M.M

1 2 3 4 5 6 7 8