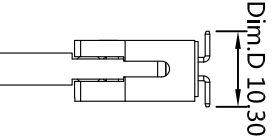
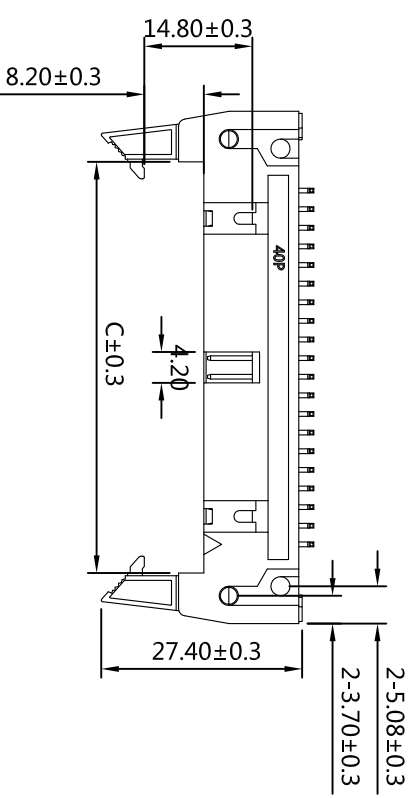
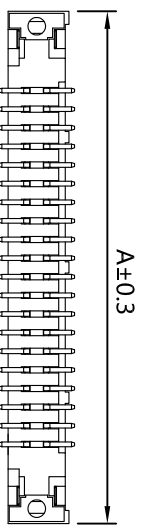


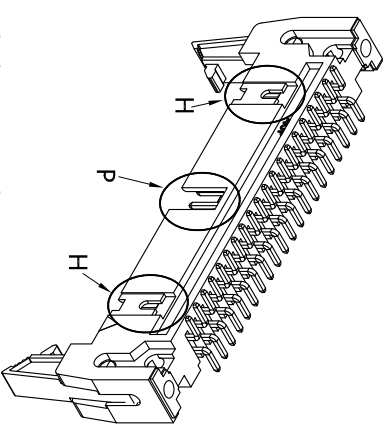
1	变更日期	变更内容	修改人	标记
2				
3				
4				
5				
6				
7				
8				



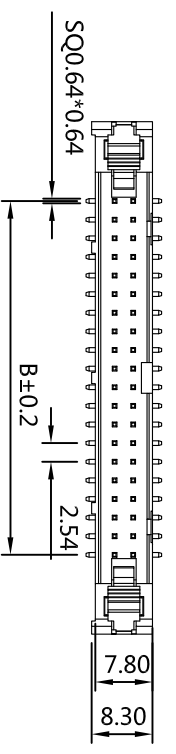
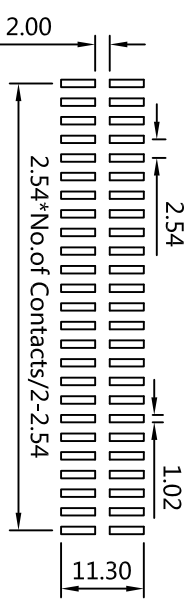
PIN	A(mm)	B(mm)	C(mm)
6P	26.82	5.08	12.94
8P	29.36	7.62	15.40
10P	31.90	10.16	18.02
12P	34.44	12.70	20.56
14P	36.98	15.24	23.10
16P	39.52	17.78	25.64
18P	42.06	20.32	28.18
20P	44.60	22.86	30.72
24P	49.68	27.94	35.80
26P	52.22	30.48	38.34
30P	57.30	35.56	43.42
34P	62.38	40.64	48.50
40P	70.00	48.26	56.12
50P	82.70	60.96	68.82
60P	95.40	73.66	81.52
64P	100.68	78.74	86.60

Current Rating: 3 Amps  
 Insulator Resistance: 1000 Megohms min  
 Dielectric Withstanding: AC 500V  
 Contact Resistance: 20mΩ MAX  
 Operation Temperature: -40~+105°C  
 Max processing temp: 180°C for 60seconds  
 Max processing temp: 200°C for 10seconds  
 Contact Material: Brass  
 Insulator material: Standard: Polyester, UL 94V-0  
 Standard: PBT  
 Finish: Tin Gold Plated  
 Standard: Gold Flash all over

说明：1. 系列PIN数A-C尺寸请参照表格  
 2. "H" 18P含18P以上PIN才有；  
 3. "P" 60P与64P有；其它PIN没有



Recommended P.C. Board  
 Hole Layout



(RoHS Compliant)

LH1 X - XX DL BK X 000 X  
 1 2 3 4 5 6 7

- Insulator Material:  
N=PA6T A=PBT  
L=LCP P=PA9T
- Circuits: 06-64pin
- Taill Style:  
SL=Stright long ears  
SS=Stright short ears  
RL=Right angle long ears  
RS=Right angle short ears  
DL=SMT Long ears  
DS=SMT Short ears
- Color: BK=Black GR=Gray
- Contact Plated:  
T=Matte Tin over Nickel  
W=Matte Tin over nickel 150μ"  
Y=Bright Tin over Nickel  
C=Gold Flash  
F=Gold Flash, Matte Tin 100μ"  
A=Gold 3μ"  
B=Gold 3μ"  
D=Gold 5μ"
- Special Options  
7. X= Packing  
B=Tube  
C=TRAY  
D=BOX  
E = CAP + Tap & Reel  
F = CAP + Tube  
G = CAP + Tray  
H = CAP + Bag  
N=TAPE&Reel



东莞市震升电子有限公司  
 DONG GUAN ZHEN SHENG ELECTRONICS CO.,LTD

1: LH1X-XX BKH0-C6	
BOM 2: SQ 0.64-17.7-X-C12	
3: LH1A-BKES-C6	

PART NO.	LH1X-XXDLBKX000X	X	.XX	.XXX
DRAWING NO	ZS-10015-N	±0.30	±0.20	±0.1
EDITION:	A1			
DRAWN BY	Deng jin quan	2022-5-09	SCALE:1:1	ITEM: LH1
APPROVAL BY	Chen xiao guang	2022-5-10		UNIT:M.M

1 2 3 4 5 6 7 8