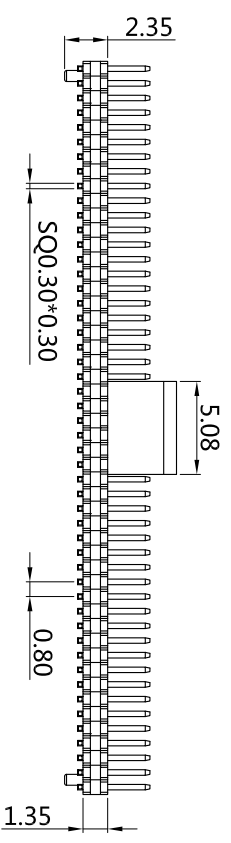


0.8*No.of Contacts/2±0.30

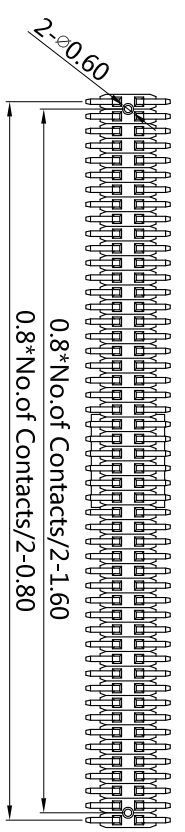
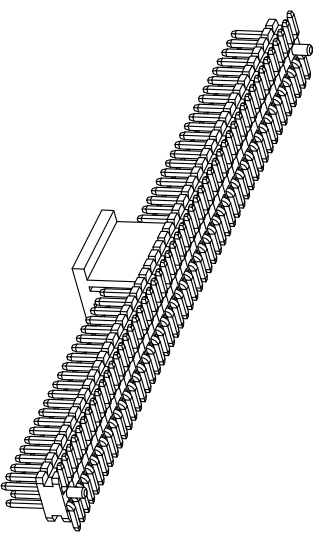
1.20
3.05

Current Rating: 1 Amps
Insulator Resistance: 1000 Megohms min
Dielectric Withstanding: AC 300V
Contact Resistance: 20mΩ MAX
Operation Temperature: -40~+105°C
Max processing temp: 230°C for 60seconds
Max processing temp: 260°C for 10seconds
Contact Material: Brass
Insulator material: Standard: Polyester, UL 94V-0
Standard: PA6T
Finish: Tin Gold Plated
Standard: Gold Flash all over



Dim.G 3.95
Dim.A 2.30

4.00
Dim.D 4.60
0.12



H6 X 13 - 2 XX D1 BK X 000 E

1. Insulator material: N=PA6T L=LCP P=PA9T

2. Circuits: 2-50 PIN

3. Tail Style: D1=SMT+ Pillars

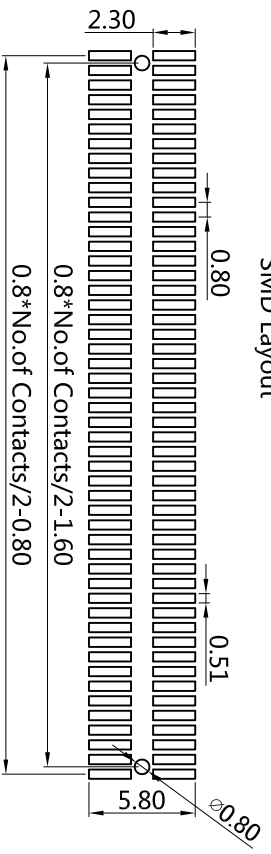
4. Color: BK=Black

5. Contact Plated: T=Matte Tin over Nickel W=Matte Tin over nickel 150μ" Y=Bright Tin over Nickel F=Gold Flash, Matte Tin 100μ" A=Gold 3μ" B=Gold 3μ" C=ordinary gold plating D=Gold 5μ"

6. Special Options: I=Gold 1μ" E=Gold 5μ" G=Gold 10μ" J=Gold 10μ" L=Gold 15μ" M=Gold 15μ" V=Gold 30μ"

7. Packing: A=Bag B=Tube D=Small box E=Cap+Reel

Recommended P.C. Board
SMD Layout



PART NO.		H6X13-2XXD1BKX000E		X	.XX	.XXX
DRAWING NO		ZS-00004-P		±0.30	±0.20	±0.1
DRAWN BY		Deng jin quan		EDITION:A1		ITEM: H6
APPROVAL BY		Chen xiao guang		2021-12-22		SCALE:1:1
TEL:0769-85305015 FAX:0769-85845060		3:HG6N-CAP-HO-C4		2021-12-23		UNIT:M.M