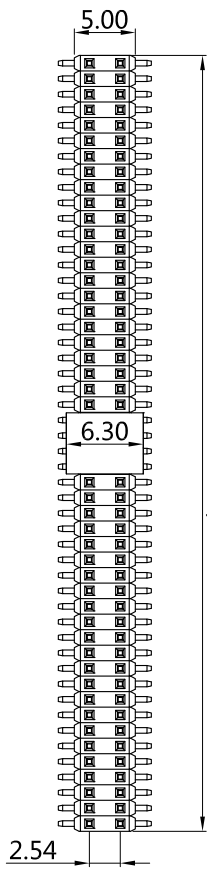
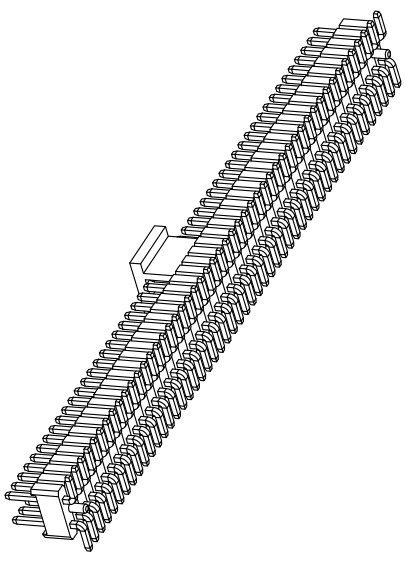
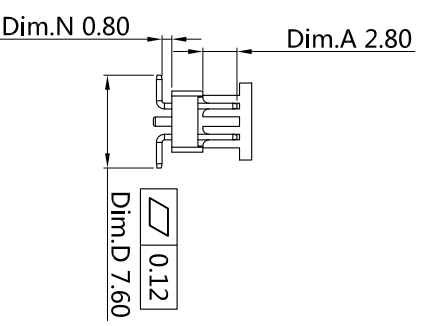


A

1.27*No.of Contacts/2±0.30

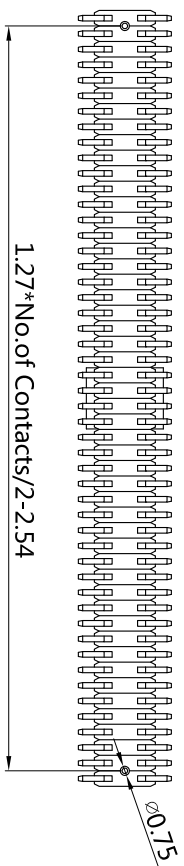


Current Rating: 1 Amps
 Insulator Resistance: 1000 Megohms min
 Dielectric Withstanding: AC 300V
 Contact Resistance: 20mΩ MAX
 Operation Temperature: -40~+105°C
 Max processing temp: 230°C for 60seconds
 Max processing temp: 260°C for 10seconds
 Contact Material: Brass
 Insulator material: Standard: Polyester, UL 94V-0
 Standard: PA6T
 Finish: Tin Gold Plated
 Standard: Gold Flash all over

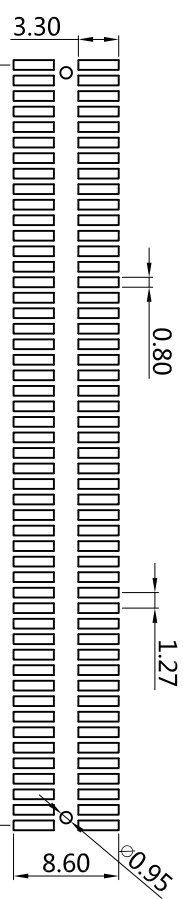


C

C



Recommended P.C. Board
 SMD Layout



(RoHS Compliant)
 H4 X 25 - 2 XX D1 BK X 000 E

1. Insulator material: 5. Contact Plated:
 N=PA6T T=Matte Tin over Nickel
 L=LCP P=PA9T W=Matte Tin over nickel 150μ"
 2. Circuits:2-50 PIN Y=Bright Tin over Nickel
 3. Tail Style: F=Gold Flash, Matte Tin 100μ"
 4. Color: D1=SMT+Pillars A=Gold 3μ"
 BK=Black B=Gold 3μ" , Matte Tin 100μ"
 D=Gold 5μ" C = ordinary gold plating M=Gold 15μ"
 U=Gold 30μ" V=Gold 30μ" Matte Tin 100μ"

6.Special Options
 I=Gold 1μ"
 E=Gold 5μ"
 G=Gold 10μ"
 J=Gold 10μ"
 L=Gold 15μ"
 M=Gold 15μ"
 U=Gold 30μ"
 V=Gold 30μ"

7. Packing:
 A=Bag
 B=Tube
 D=Small box
 E=Cap+Reel



东莞市震升电子有限公司
 DONG GUAN ZHEN SHENG ELECTRONICS CO., LTD

BOM	1:H4N25-250BKHC4	DRAWING NO	ZS-00200-P	EDITION:A1	ITEM: H4
	2:SQ0.46-7.4-X-C12	DRAWN BY	Deng jin quan	2021-12-22	SCALE:1:1
	3:H4N-CAP-H0-C4	APPROVAL BY	Chen xiao guang	2021-12-25	UNIT:M.M

F