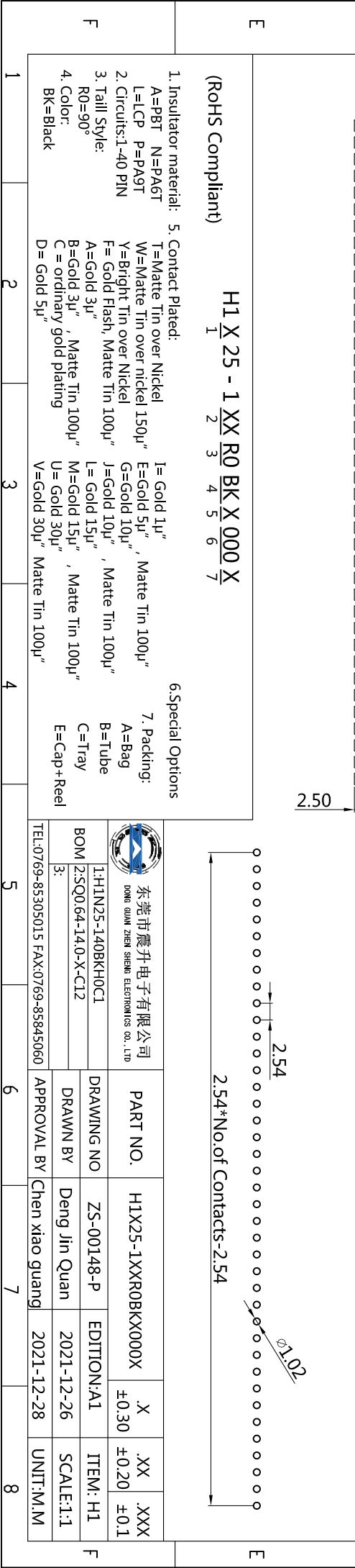
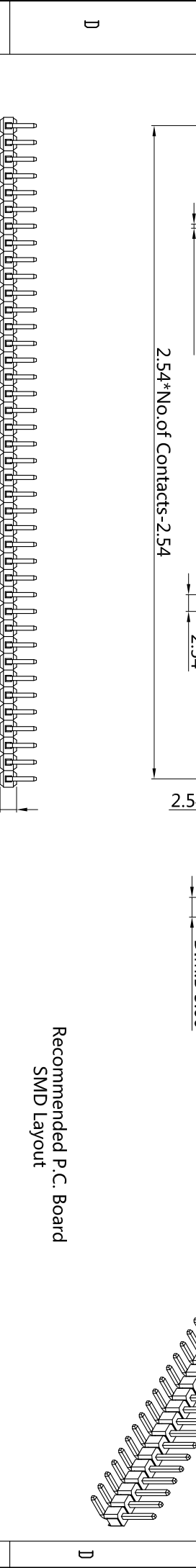
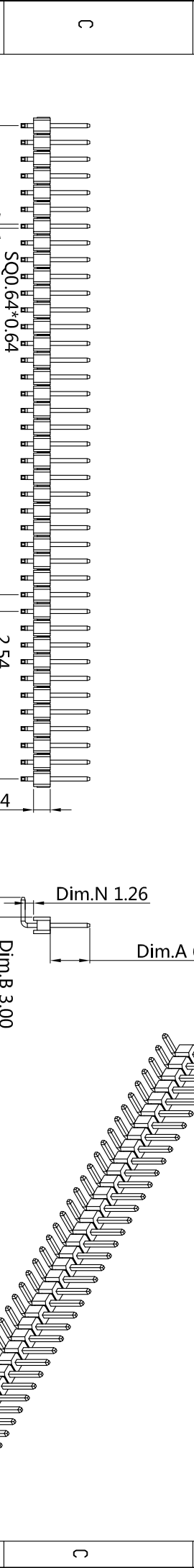
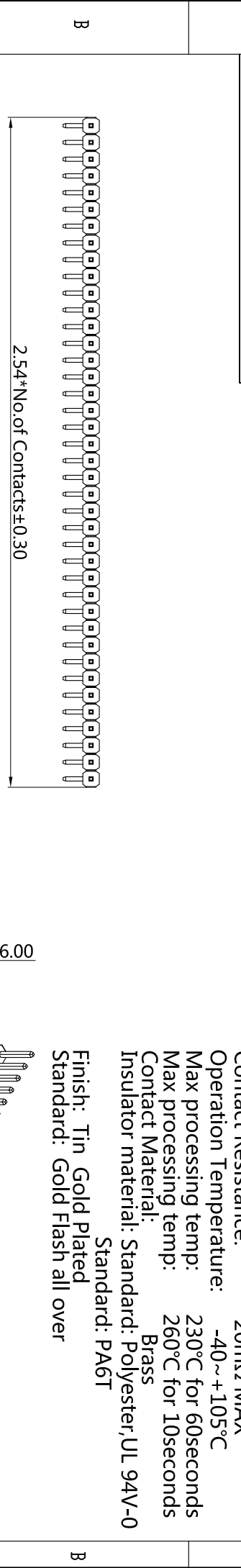


1	2	3	4	5	6	7	8
---	---	---	---	---	---	---	---



1. Insulator material: A=PBT N=PA6T L=LCP P=PA9T  
 2. Circuits: 1-40 PIN  
 3. Tail Style: R0=90°  
 4. Color: BK=Black

5. Contact Plated: T=Matte Tin over Nickel W=Matte Tin over nickel 150µ" Y=Bright Tin over Nickel F=Gold Flash, Matte Tin 100µ" A=Gold 3µ" B=Gold 3µ" C=ordinary gold plating D=Gold 5µ"

6. Special Options: I=Gold 1µ" E=Gold 5µ" G=Gold 10µ" J=Gold 10µ" L=Gold 15µ" M=Gold 15µ" V=Gold 30µ"

7. Packing: A=Bag B=Tube C=Tray E=Cap+Reel

8. Recommended P.C. Board SMD Layout

(RoHS Compliant)

H1 X 25 - 1 XX R0 BK X 000 X

1. H1N25-140BKHOCL		PART NO.		H1X25-1XXR0BKX000X		.X		.XX		.XXX	
2: SQ064-14.0-X-C12		DRAWING NO		ZS-00148-P		±0.30		±0.20		±0.1	
3:		DRAWN BY		Deng Jin Quan		EDITION: A1		ITEM: H1		SCALE: 1:1	
TEL: 0769-85305015 FAX: 0769-85845060		APPROVAL BY		Chen xiao guang		2021-12-28		UNIT: M:M			

东莞市震升电子有限公司  
 DONG GUAN ZHEN SHENG ELECTRONICS CO., LTD