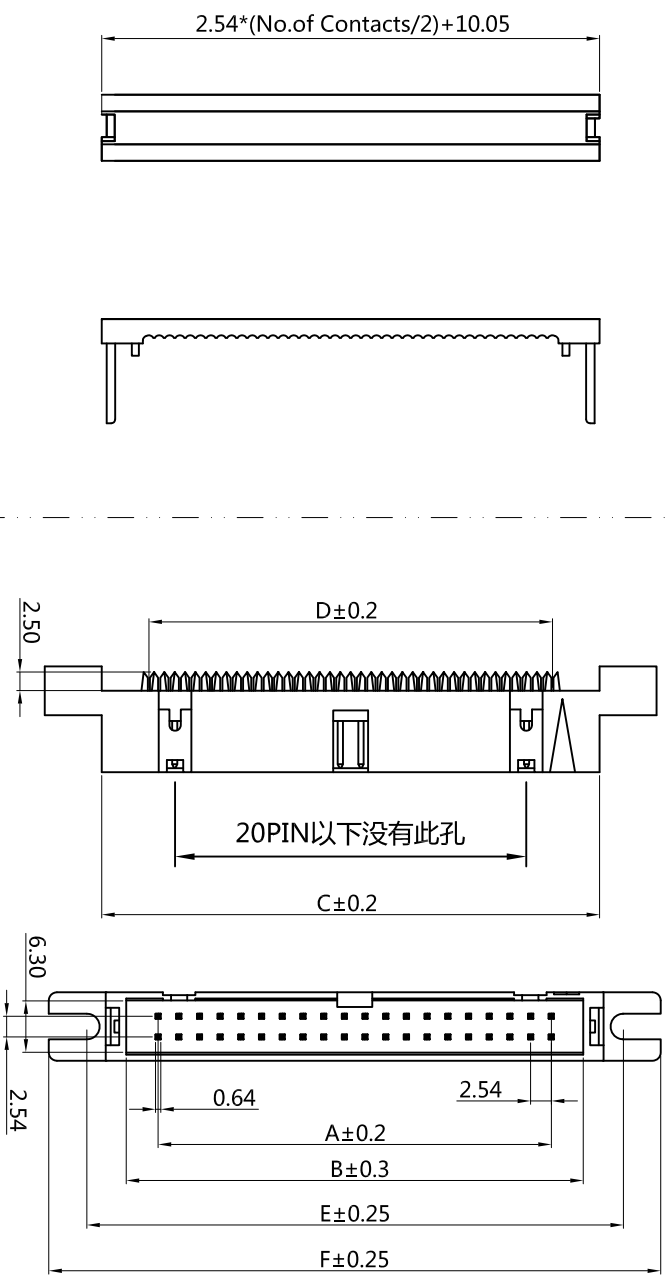


1 2 3 4 5 6 7 8

Current Rating: 1 Amps
 Insulator Resistance: 1000Q/M Min at DC 500V
 Dielectric Withstanding: AC 500V
 Contact Resistance: 15mΩ MAX
 Withts tan ding Voltage: AC 500V for 1 Minute.
 Operation Temperature: -40~+105°C
 Max processing temp: 230°C for 60seconds
 Max processing temp: 260°C for 10seconds
 Insulator material: Standard: Polyester, UL 94V-0
 Standard: PBT+GF30%
 Contact : Copper Alloy
 Contact Plated: Gold or Tin over Nickel Plated



| PIN | Dim A | Dim B | Dim C | Dim D | Dim E | Dim F |
|-----|-------|-------|-------|-------|-------|--------|
| 10 | 10.16 | 18.15 | 22.95 | 11.43 | 27.80 | 37.00 |
| 14 | 15.24 | 23.23 | 28.03 | 16.51 | 32.88 | 42.08 |
| 16 | 17.78 | 25.77 | 30.57 | 19.05 | 35.42 | 44.62 |
| 20 | 22.86 | 30.85 | 35.65 | 24.13 | 40.50 | 49.70 |
| 24 | 27.94 | 35.93 | 40.73 | 29.21 | 45.58 | 54.78 |
| 26 | 30.48 | 38.47 | 43.27 | 31.75 | 48.12 | 57.32 |
| 30 | 35.56 | 43.55 | 48.35 | 36.83 | 53.20 | 62.40 |
| 34 | 40.64 | 48.63 | 53.43 | 41.91 | 58.28 | 67.48 |
| 40 | 48.26 | 56.25 | 61.05 | 49.53 | 65.90 | 75.10 |
| 50 | 60.96 | 68.95 | 73.75 | 62.23 | 78.60 | 87.80 |
| 60 | 73.66 | 81.65 | 86.45 | 74.93 | 91.30 | 100.50 |
| 64 | 78.74 | 86.73 | 91.53 | 80.01 | 96.38 | 105.58 |

1. Insulator material: 6. Contact Plated:
 A=PBT T=Matte Tin over Nickel
 2. Circuits: 10-64PIN W=Matte Tin over nickel 150μ"
 3. Tall Style: Y=Bright Tin over Nickel I=Gold 1μ"
 N = W/O Ear G=Gold 10μ"
 4. 2=W/O SR A=Gold 3μ" , Matte Tin 100μ"
 3=With SR B=Gold 3μ" , Matte Tin 100μ"
 5. Color: BK=Black M=Gold 15μ"
 GR=GRAY D= Gold 5μ" U= Gold 30μ"
 V=Gold 30μ" Matte Tin 100μ"

7. Special Options

8. Packing:
 B=Tube
 C=Tray
 E=Cap+Reel
 F=Cap+tube
 G=Cap+tray
 H=Cap+bag
 N=1Tap&reel



东莞市震升电子有限公司
 DONG GUAN ZHEN SHENG ELECTRONICS CO., LTD

| | |
|--------|-------------------|
| BOM 1: | BF11X-XXB2GRH0C10 |
| 2: | |
| 3: | |

| | | | | |
|-------------|------------------|------------|------------|-----------|
| PART NO. | BF11X-XXB2GR000X | X | .XX | .XXX |
| DRAWING NO | ZS-00026-J | EDITION:A1 | ITEM: BH11 | SCALE:1:1 |
| DRAWN BY | Deng jin quan | 2021-12-22 | 2021-12-23 | UNIT:M.M |
| APPROVAL BY | Chen xiao guang | | | |

1 2 3 4 5 6 7 8

F E D C B A